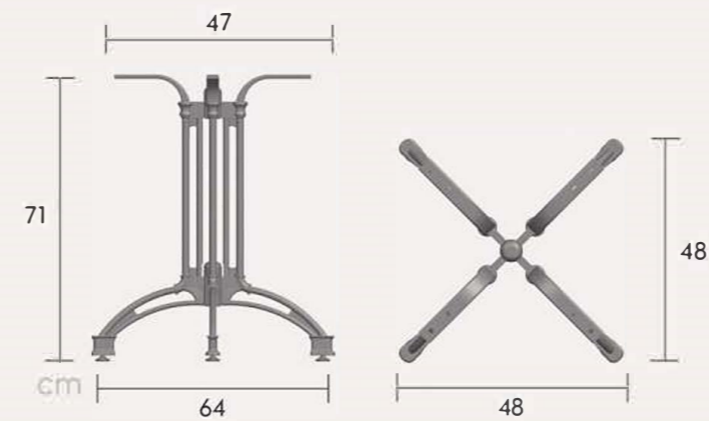




HITTITE series

NEO-700100



RECYCLABLE PRODUCT DISASSEMBLED

MATERIAL

• Aluminum high pressure die casting, 4-legs

COLOR OPTIONS

White Black Others

Finishing: Powder coating
Standard Colors: Black & white.
Any specific colours are available with MOQ-100 pcs.

BOX DIMENSIONS

| PCS/BOX | LENGTH (cm) | WIDTH (cm) | HEIGHT (cm) | NET WEIGHT (kg) | GROSS WEIGHT (kg) | VOLUME m ³ |
|---------|-------------|------------|-------------|-----------------|-------------------|-----------------------|
| 1 pcs | 74,5 | 33,0 | 8,5 | 4,55 | 5,05 | 0,021 |

LOGISTIC INFO

1.092 pcs 20 ft | 2.340 pcs 40 ft | 2.574 pcs

