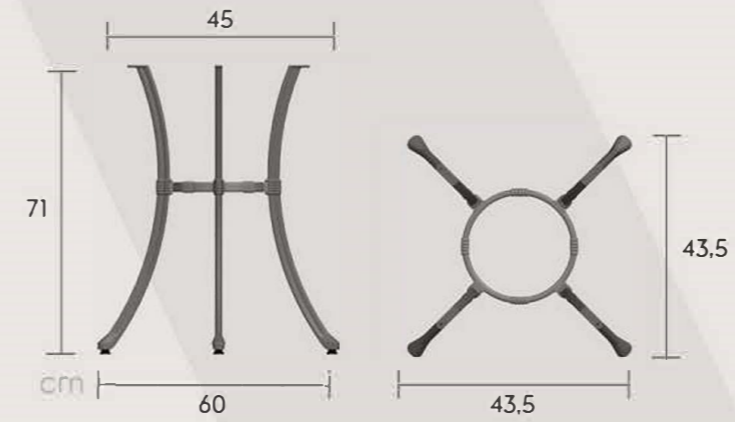
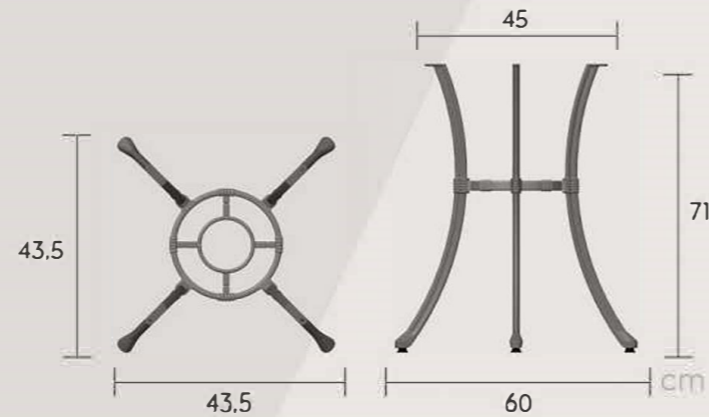


NEO-700310



NEO-700310



- RECYCLABLE PRODUCT
- DISASSEMBLED
- ADJUSTABLE FEET

MATERIAL

Aluminum high pressuredie casting

COLOR OPTIONS

- White
- Black
- Others

Finishing: Powder coating
Standard Colors: Black & white.
Any specific colours are available with MOQ-100 pcs.

BOX DIMENSIONS

PCS/BOX	LENGTH (cm)	WIDTH (cm)	HEIGHT (cm)	NET WEIGHT (kg)	GROSS WEIGHT (kg)	VOLUME m ³
1 pcs	76,5	32,0	5,5	4,05	4,45	0,013

LOGISTIC INFO

- 1.848 pcs 20 ft
- 3.960 pcs 40 ft
- 4.356 pcs TIR

