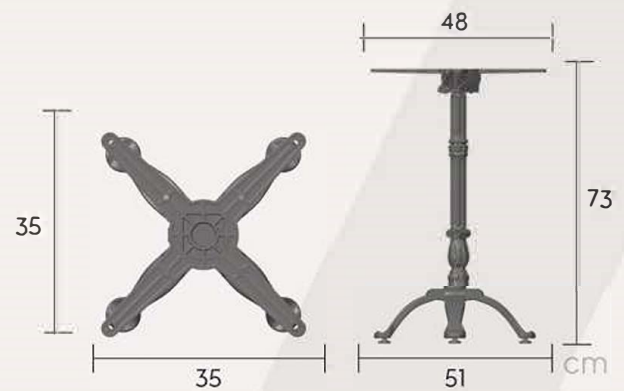




# NEO-700405



RECYCLABLE PRODUCT



DISASSEMBLED



ADJUSTABLE FEET

## MATERIAL

• Cross & column aluminum  
high pressure die casting,  
base cast iron.

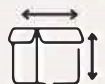
## COLOR OPTIONS



Finishing: Powder coating  
Standard Colors: Black & white.  
Any specific colours are available with MOQ-100 pcs.



## BOX DIMENSIONS



| PCS/<br>BOX     | LENGTH<br>(cm) | WIDTH<br>(cm) | HEIGHT<br>(cm) | NET<br>WEIGHT (kg) | GROSS<br>WEIGHT (kg) | VOLUME<br>m <sup>3</sup> |
|-----------------|----------------|---------------|----------------|--------------------|----------------------|--------------------------|
| 1 pcs/<br>2 box | 42,0           | 40,5          | 13,5           | 9,59               | 10,12                | 0,026                    |
|                 | 73,0           | 6,5           | 7,0            |                    |                      |                          |

## LOGISTIC INFO

700 pcs

1.500 pcs

1.650 pcs