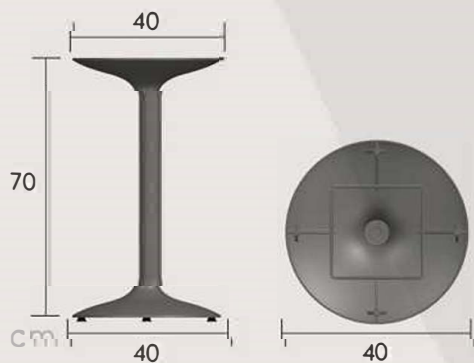


NEO-700521



RECYCLABLE PRODUCT



DISASSEMBLED



ADJUSTABLE FEET

MATERIAL

• Column dia. 60 mm aluminum extrusion, base & cross high pressure die casting

COLOR OPTIONS



White



Black



Others



Finishing: Powder coating
Standard Colors: Black & white.
Any specific colours are available with MOQ-100 pcs.



BOX DIMENSIONS

PCS/ BOX	LENGTH (cm)	WIDTH (cm)	HEIGHT (cm)	NET WEIGHT (kg)	GROSS WEIGHT (kg)	VOLUME m ³
1 pcs/ 2 box	42,0	40,5	13,5	5,90	6,43	0,026
	73,0	6,5	7,0			

LOGISTIC INFO

1.092 pcs



2.340 pcs



2.574 pcs

