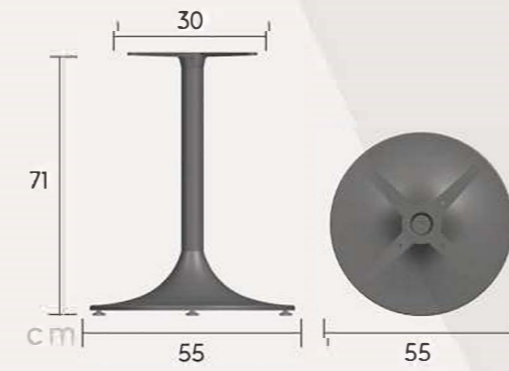




# NEO-700620







-   
 RECYCLABLE PRODUCT
-   
 DISASSEMBLED
-   
 ADJUSTABLE FEET

### MATERIAL

• Column dia. 60 mm aluminum extrusion, base & cross high pressure die casting

### COLOR OPTIONS

-   
 White
-   
 Black
-   
 Others

 *Finishing: Powder coating*  
*Standard Colors: Black & white.*  
*Any specific colours are available with MOQ-100 pcs.*

### BOX DIMENSIONS

PCS/BOX	LENGTH (cm)	WIDTH (cm)	HEIGHT (cm)	NET WEIGHT (kg)	GROSS WEIGHT (kg)	VOLUME m <sup>3</sup>
1 pcs	57.0	57.0	20.0	6.81	7.92	0.065

### LOGISTIC INFO

- 400 pcs 
- 800 pcs 
- 880 pcs 

