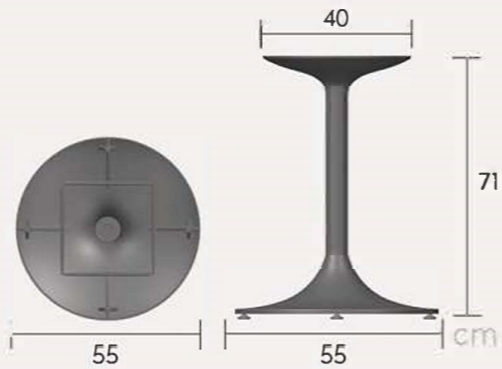


NEO-700621



- RECYCLABLE PRODUCT
- DISASSEMBLED
- ADJUSTABLE FEET

MATERIAL
 • Column dia. 60 mm aluminum extrusion, base & upper support high pressure die casting

COLOR OPTIONS
 White Black Others

Finishing: Powder coating
 Standard Colors: Black & white.
 Any specific colours are available with MOQ-100 pcs.

BOX DIMENSIONS

PCS/BOX	LENGTH (cm)	WIDTH (cm)	HEIGHT (cm)	NET WEIGHT (kg)	GROSS WEIGHT (kg)	VOLUME m ³
1 pcs	57,0	57,0	20,0	7,63	8,58	0,065

LOGISTIC INFO

- 400 pcs 20 ft
- 800 pcs 40 ft
- 880 pcs TIR