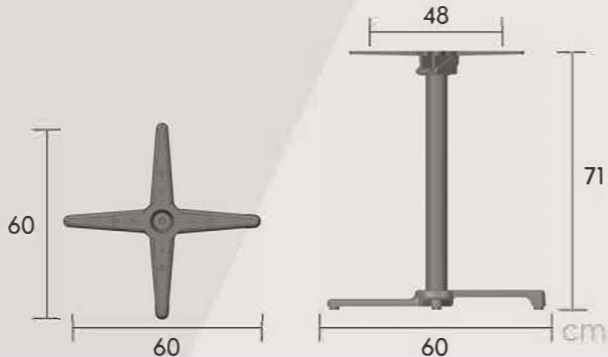


NEO-700705



- RECYCLABLE PRODUCT
- DISASSEMBLED
- ADJUSTABLE FEET

MATERIAL **COLOR OPTIONS**

• Column dia. 60 mm aluminum extrusion, base & cross high pressure die casting

White Black Others

Finishing: Powder coating
Standard Colors: Black & white.
Any specific colours are available with MOQ-100 pcs.

BOX DIMENSIONS

PCS/BOX	LENGTH (cm)	WIDTH (cm)	HEIGHT (cm)	NET WEIGHT (kg)	GROSS WEIGHT (kg)	VOLUME m ³
1 pcs/ 2 box	48,5	46,5	9,0	4,20	4,83	0,030
	73,0	7,0	6,5			

LOGISTIC INFO

- 1.008 pcs 20 ft
- 2.160 pcs 40 ft
- 2.376 pcs TIR

