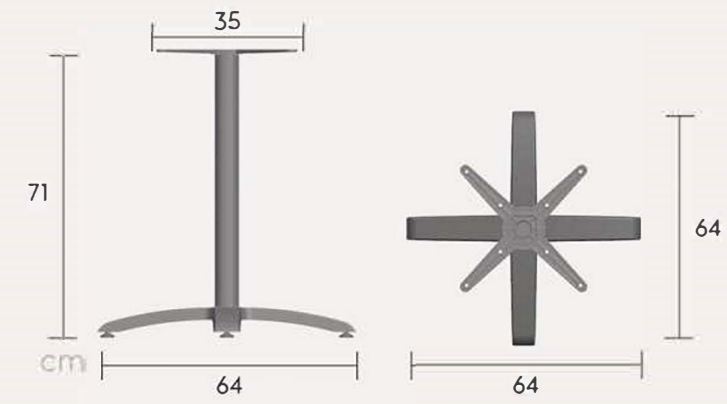


NEO-700740



RECYCLABLE PRODUCT
 DISASSEMBLED
 ADJUSTABLE FEET

MATERIAL

• Column dia 60 mm aluminum extrusion, base & cross high pressure die casting

COLOR OPTIONS



Finishing: Powder coating
 Standard Colors: Black & white.
 Any specific colours are available with MOQ-100 pcs.

BOX DIMENSIONS

PCS/ BOX	LENGTH (cm)	WIDTH (cm)	HEIGHT (cm)	NET WEIGHT (kg)	GROSS WEIGHT (kg)	VOLUME m ³
1 pcs/ 2 box	53,5	51,0	9,5	3,60	4,23	0,029
	73,0	7,0	6,5			

LOGISTIC INFO

952 pcs 20 ft
 2.040 pcs 40 ft
 2.244 pcs TIR

