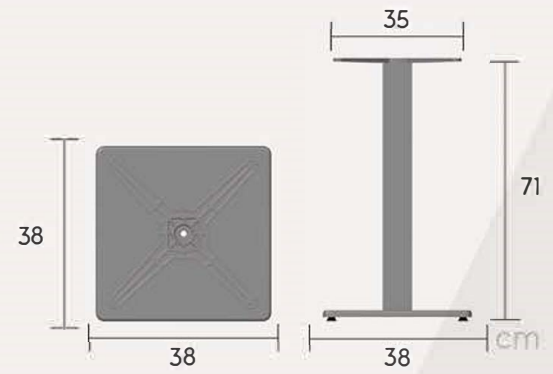


NEO-700810



RECYCLABLE PRODUCT



DISASSEMBLED



ADJUSTABLE FEET

MATERIAL

• Column 80x80 mm aluminum extrusion, base & cross high pressure die casting

COLOR OPTIONS



White



Black



Others

Finishing: Powder coating

Standard Colors: Black & white.

Any specific colours are available with MOQ-100 pcs.



BOX DIMENSIONS



PCS/ BOX	LENGTH (cm)	WIDTH (cm)	HEIGHT (cm)	NET WEIGHT (kg)	GROSS WEIGHT (kg)	VOLUME m ³
1 pcs/	43.0	43.0	4.0	6,79	7,49	0,014
2 box	72.5	9,5	9,5			

LOGISTIC INFO

1.000 pcs



2.200 pcs



2.500 pcs

