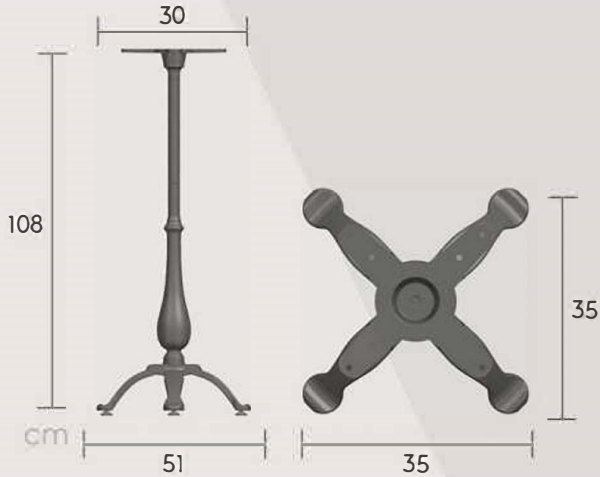


NEO-704103



RECYCLABLE PRODUCT



DISASSEMBLED



ADJUSTABLE FEET

MATERIAL

• Cross & column aluminum high pressure die casting, extension tube steel profile, base cast iron

COLOR OPTIONS



White



Black



Others



Finishing: Powder coating
Standard Colors: Black & white.
Any specific colours are available with MOQ-100 pcs.



BOX DIMENSIONS

PCS/ BOX	LENGTH (cm)	WIDTH (cm)	HEIGHT (cm)	NET WEIGHT (kg)	GROSS WEIGHT (kg)	VOLUME m ³
1 pcs/ 2 box	42,0	40,5	13,5	11,61	12,41	0,033
	95,0	10,5	10,5			

LOGISTIC INFO

450 pcs



990 pcs



1.170 pcs

