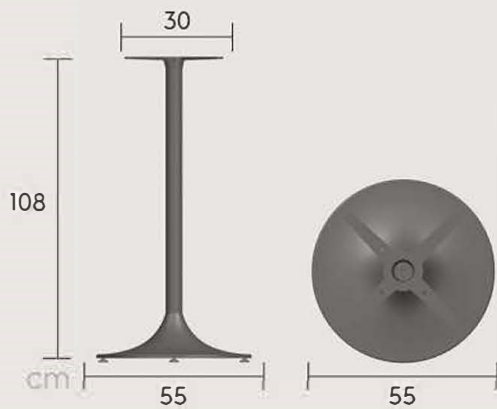




# NEO-706203



RECYCLABLE PRODUCT



DISASSEMBLED



ADJUSTABLE FEET

## MATERIAL

• Column dia. 60 mm aluminum extrusion, base & cross high pressure die casting

## COLOR OPTIONS



White



Black



Others



Finishing: Powder coating  
Standard Colors: Black & white.  
Any specific colours are available with MOQ-100 pcs.



## BOX DIMENSIONS

PCS/ BOX	LENGTH (cm)	WIDTH (cm)	HEIGHT (cm)	NET WEIGHT (kg)	GROSS WEIGHT (kg)	VOLUME m <sup>3</sup>
1 pcs/ 2 box	57,0	57,0	20,0	7,29	8,50	0,070
	108,0	7,0	6,5			

## LOGISTIC INFO

360 pcs



720 pcs



792 pcs

