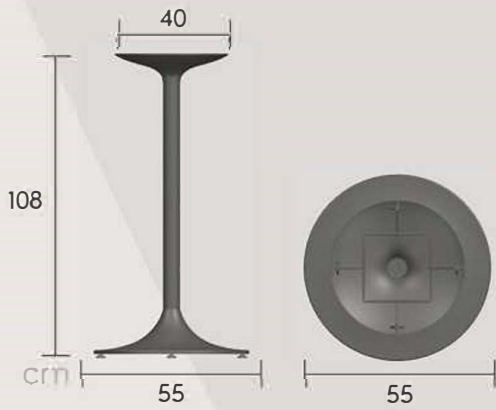


NEO-706213



RECYCLABLE PRODUCT



DISASSEMBLED



ADJUSTABLE FEET

MATERIAL

• Column dia. 60 mm aluminum extrusion, base & upper support high pressure die casting

COLOR OPTIONS



White



Black



Others



Finishing: Powder coating
Standard Colors: Black & white.
Any specific colours are available with MOQ-100 pcs.



BOX DIMENSIONS

PCS/ BOX	LENGTH (cm)	WIDTH (cm)	HEIGHT (cm)	NET WEIGHT (kg)	GROSS WEIGHT (kg)	VOLUME m ³
1 pcs/ 2 box	57,0	57,0	20,0	8,10	9,31	0,070
	108,0	7,0	6,5			

LOGISTIC INFO

360
pcs



720
pcs



792
pcs

