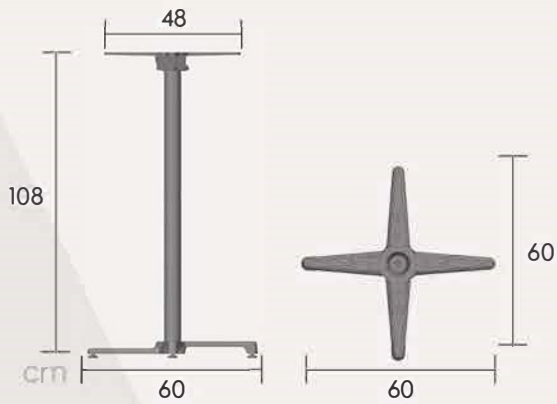


NEO-707053



RECYCLABLE PRODUCT



DISASSEMBLED



ADJUSTABLE FEET

MATERIAL

• Column dia. 60 mm aluminum extrusion, base & cross high pressure die casting

COLOR OPTIONS



White



Black



Others



Finishing: Powder coating
Standard Colors: Black & white.
Any specific colours are available with MOQ-100 pcs.



BOX DIMENSIONS

PCS/BOX	LENGTH (cm)	WIDTH (cm)	HEIGHT (cm)	NET WEIGHT (kg)	GROSS WEIGHT (kg)	VOLUME m ³
1 pcs/ 2 box	48,5	46,5	9,0	4,70	5,46	0,025
	108,0	7,0	6,5			

LOGISTIC INFO

672 pcs



1.440 pcs



1.584 pcs

