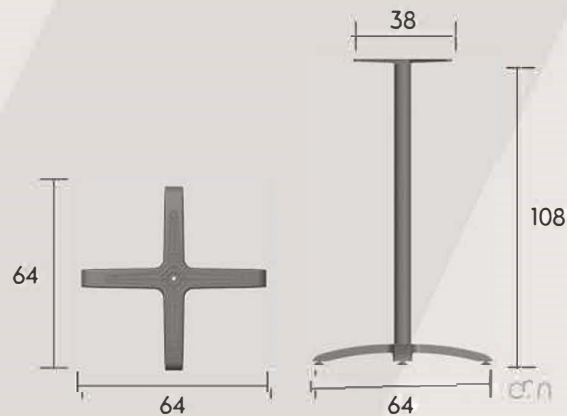


NEO-707403



RECYCLABLE PRODUCT



DISASSEMBLED



ADJUSTABLE FEET

MATERIAL

- Column dia. 60 mm aluminum extrusion. base & cross high pressure die casting

COLOR OPTIONS



White



Black



Others

Finishing: Powder coating
Standard Colors: Black & white.

Any specific colours are available with MOQ-100 pcs.



BOX DIMENSIONS



| PCS/BOX | LENGTH (cm) | WIDTH (cm) | HEIGHT (cm) | NET WEIGHT (kg) | GROSS WEIGHT (kg) | VOLUME m ³ |
|-------------|-------------|------------|-------------|-----------------|-------------------|-----------------------|
| 1 pcs/2 box | 53,5 | 51,0 | 9,5 | 6,06 | 6,87 | 0,031 |
| | 108,0 | 7,0 | 6,5 | | | |

LOGISTIC INFO

700 pcs



1.500 pcs



1.650 pcs

