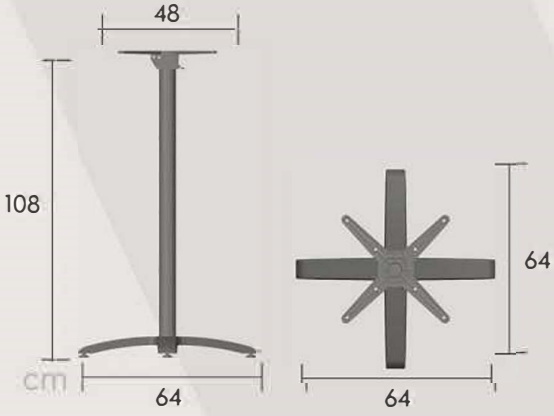


# NEO-707453



- RECYCLABLE PRODUCT
- DISASSEMBLED
- ADJUSTABLE FEET

## MATERIAL

• Column dia. 60 mm aluminum extrusion, base & cross high pressure die casting

## COLOR OPTIONS

- White
- Black
- Others

Finishing: Powder coating  
Standard Colors: Black & white.  
Any specific colours are available with MOQ-100 pcs.

## BOX DIMENSIONS

PCS/BOX	LENGTH (cm)	WIDTH (cm)	HEIGHT (cm)	NET WEIGHT (kg)	GROSS WEIGHT (kg)	VOLUME m <sup>3</sup>
1 pcs/2 box	53,5	51,0	9,5	6,40	7,16	0,031
	108,0	7,0	6,5			

## LOGISTIC INFO

- 700 pcs 20 ft
- 1.500 pcs 40 ft
- 1.650 pcs TRUCK

